
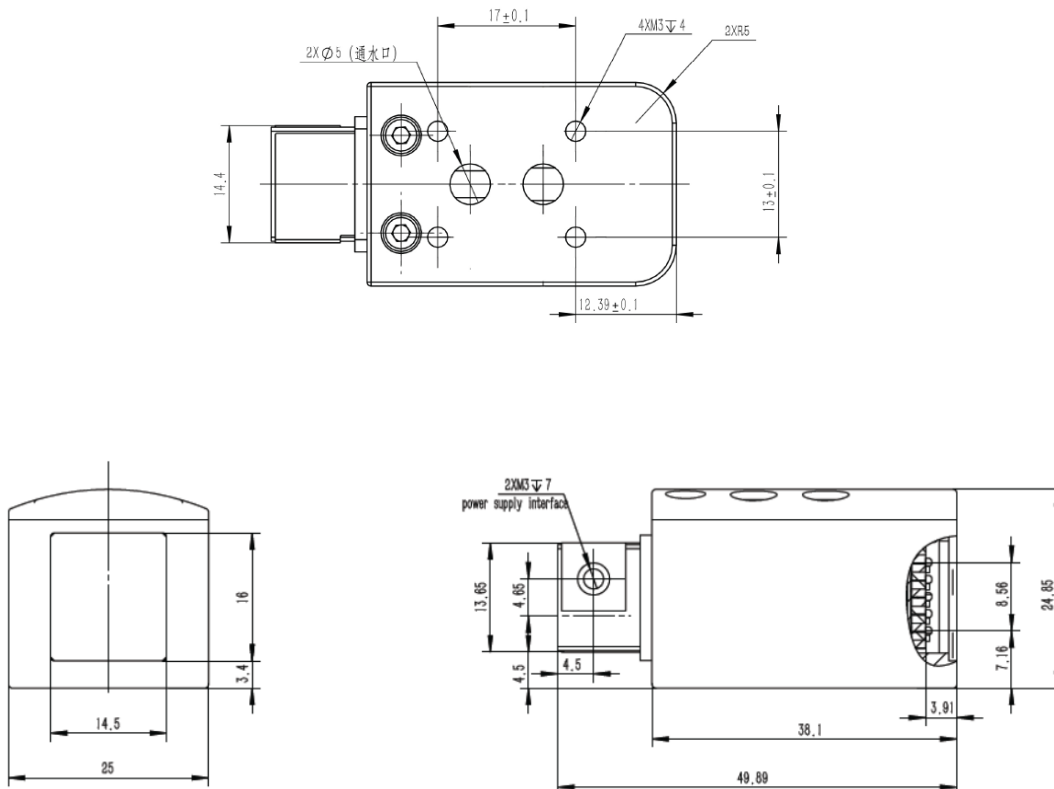


Conduction Cooled Vertical Stack Diode Laser

Vsilk 2-600

	<h3>Features</h3>	<h3>Applications</h3>
	<ul style="list-style-type: none"> • High effective energy • High beam quality • High reliability • Small size • Light weight 	<ul style="list-style-type: none"> • Hair removal

Product Dimensions (mm)



Remark: The structure drawing is for reference only. Please feel free to contact us for any special requirements.

Product Specifications

Product Code

HAR300085-1

Part No. ¹

FL-Vsilk2-600-808

Optical Data ²	Unit	Value
Centroid Wavelength	nm	808
Wavelength Tolerance	nm	± 15
Output Power ³	W	600
Number of bars	-	5
Bar to Bar Pitch	mm	2.1
Fast Axis Divergence 95%	°	5 ~ 7
Slow Axis Divergence 95%	°	12 ~ 14
Spot Size ⁴	mm	12 × 12
Wavelength Temp. Coefficient	nm/°C	~ 0.28

Electrical Data ²

Operation Current	A	≤ 115
Threshold Current	A	≤ 25
Operating Voltage	V	≤ 10
Slope Efficiency per bar	W/A	≥ 1.1
Power Conversion Efficiency	%	≥ 50
Max. Pulse Width	ms	400
Max. Duty Cycle	%	30

Miscellaneous Data

Operating Temperature ⁵	°C	22 ~ 28
Coolant	-	Distilled water or pure water
Flow Rate	L/min	3 ~ 4

¹ Part No. = Brand Code - Series - Power - Centroid Wavelength .

² Data at 25°C unless otherwise stated.

³ Reduced lifetime if used above nominal operating conditions.

⁴ At the distance of 32mm from light emitting surface.

⁵ A non-condensing environment is required for storage and operation below ambient dew level.



Recommended Operation Condition

Vsilk 2-600 Energy Table													
Energy(J)		Frequency(Hz)										Iop	
		1	2	3	4	5	6	7	8	9	10		≈106A
Pulse Width (ms)	10	6	6	6	6	6	6	6	6	6	6		≈91A
	20	12	12	12	12	12	12	12	12	12	12		≈55A
	30	18	18	18	18	18	18	18	18	18	18		Water Temperature T=25±3C Flow Rate: 3~4L/min
	40	24	24	24	24	24	24	24					
	50	29	29	29	29	29	29						
	60	30	30	30	30	30							
	70	35	35	35	35								
	80	40	40	40									
	90	45	45										
	100	50											
	200	50											
	300	75											
400	100												