

Conduction Cooled Vertical Stack Diode Laser

Vsilk 2 Pro-2000plus



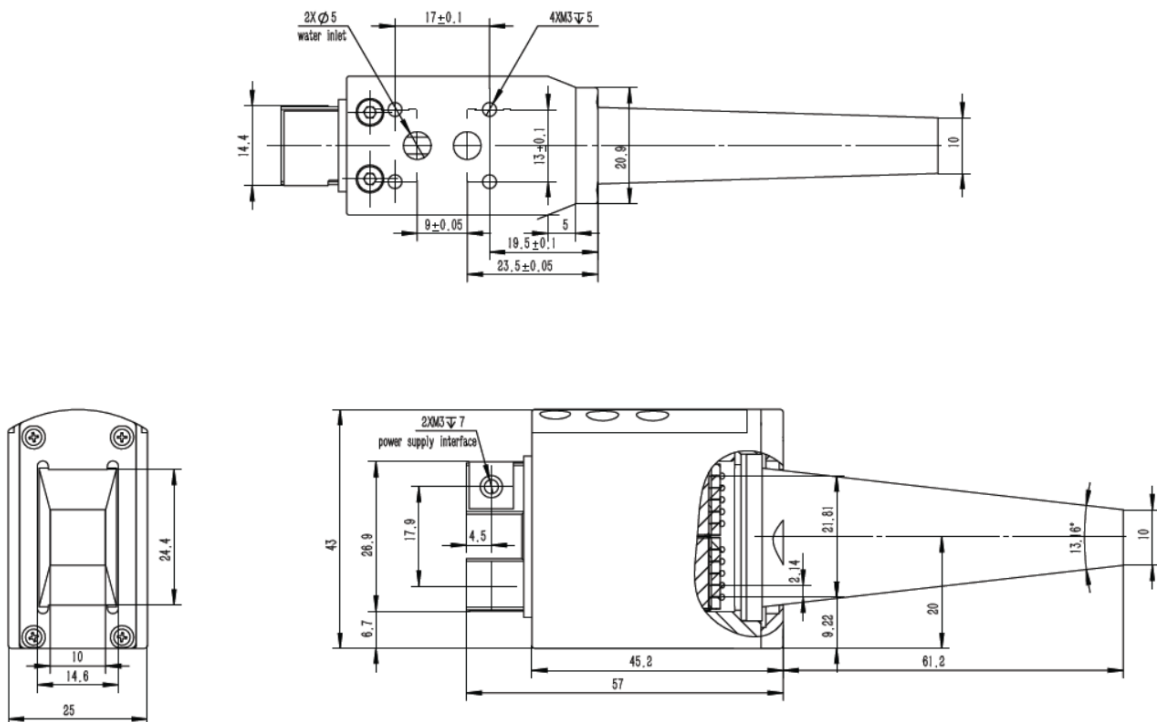
Features

- High power 200W/bar
- High beam quality
- High reliability
- Small size
- Light weight

Applications

- Hair removal

Product Dimensions (mm)



Remark: The structure drawing is for reference only. Please feel free to contact us for any special requirements.

Product Specifications

Product Code

Part No. ¹

FL-Vsilk2Pro-2000-808-P

Optical Data ²	Unit	Value
Centroid Wavelength	nm	808
Wavelength Tolerance	nm	± 15
Output Power after LD ³	W	2000
Output Power after Waveguide ³	W	1700
Number of bars	-	10
Spot Size ⁴	mm	10×10
Wavelength Temp. Coefficient	nm/°C	~ 0.28

Electrical Data ²		
Operation Current	A	≤185
Threshold Current	A	≤ 30
Operating Voltage	V	≤ 20
Slope Efficiency per bar	W/A	≥ 1.1
Power Conversion Efficiency	%	≥ 48
Max. Pulse Width	ms	400
Max. Duty Cycle	%	30

Miscellaneous Data ²		
Operating Temperature ⁵	°C	22 ~ 28
Coolant	-	Distilled water or pure water
Flow Rate	L/min	3 ~ 4

¹ Part No. = Brand Code - Series - Power - Centroid Wavelength .

² Data at 25°C unless otherwise stated.

³ Reduced lifetime if used above nominal operating conditions.

⁴ At the 32mm working distance.

⁵ A non-condensing environment is required for storage and operation below ambient dew level.



Recommended Operation Condition

Vsilk 2 Pro-2000-808 Energy Table															
Energy(J)		Frequency(Hz)											Iop		
		1	2	3	4	5	6	7	8	9	10	20		<185A	
Pulse width (ms)	5	10	10	10	10	10	10	10	10	10	10	10	10		<165A
	10	20	20	20	20	20	20	20	20	20	20	20		<145A	
	15	26	26	26	26	26	26	26	26	26	26	26		<115A	
	20	34	34	34	34	34	34	34	30	30	30		<100A		
	30	36	36	36	36	36	36	36	36	36	36		<60A		
	40	48	48	48	48	48	48	48					Water Temperature: T=25±3°C Flow Rate: 3~4L/min		
	50	58	58	58	58	58	58								
	60	60	60	60	60	60									
	70	70	70	70	70										
	80	80	80	80											
	90	90	90												
	100	100													
	200	100													
	300	150													
400	200														