

FocusAP Automation Series

Lens Auto Packaging Equipment



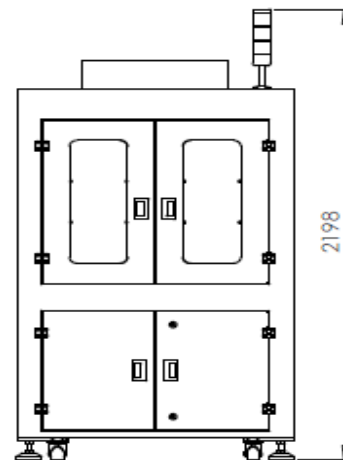
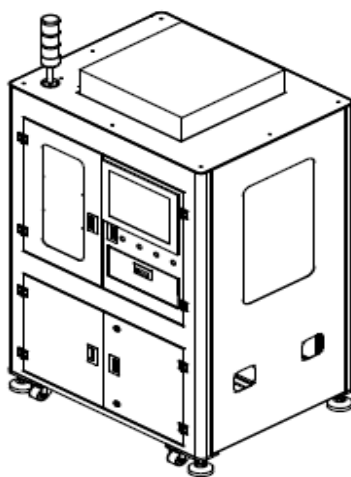
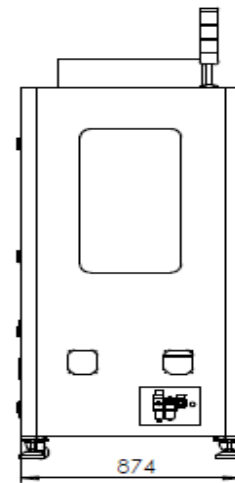
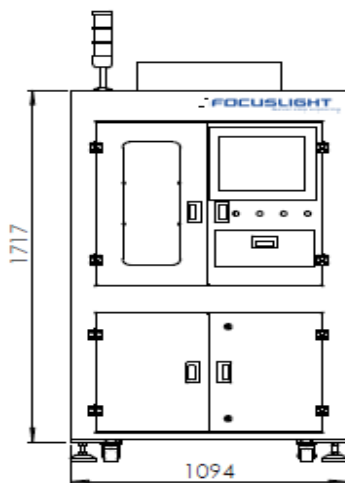
Features

- Automatic pickup and placement into specified positions
- Touch free for the luminous area to avoid secondary pollution
- Automatic recognition of grids in packaging boxes

Applications

- Automatic pickup and Loading

Product Dimensions (mm)



Remark: The structure drawing is for reference only. Please feel free to contact us for any special requirements.

Product Specifications

Product Code

Part No. FL-AP-LOAD-LENS

| General Data | Unit | Value |
|---------------------------------------|------|------------------|
| Dimensions (Width x Depth x Height) | mm | 1100x 900 x 1720 |
| Weight | kg | < 600 |

Testing Parameters

Cycle Time s/pcs TT = 3.5

Testing Ability

| | | |
|--|------|----------------|
| Quantity of feeding | pcs | 800 |
| Quantity of packing boxes in blanking area | pcs | 12 |
| Down Rate | | ≤ 1% |
| Edge Breakage Rate | | < 0.5% |
| Change Line Time | min | ≤ 15 |
| Visual Resolution | mm | 0.053 (Pickup) |
| Speed of Movement | mm/s | 1100 |
| Positioning Accuracy | mm | ± 0.02 |

Software

System Software Automatically identifies the box location and the grid in the box, places the lens in the specified position

Communication Interface

Computer Interface GPIB USB2.0 RS232

Electric Parameter

Power Supply AC 220V / 50Hz

Protection

Alarming Protection Sound and light alarm, emergency stop, security management, leakage protection, static elimination, maintenance reminder, and more