

Micro-Channel Water Cooled Vertical Stack Diode Laser HVS85



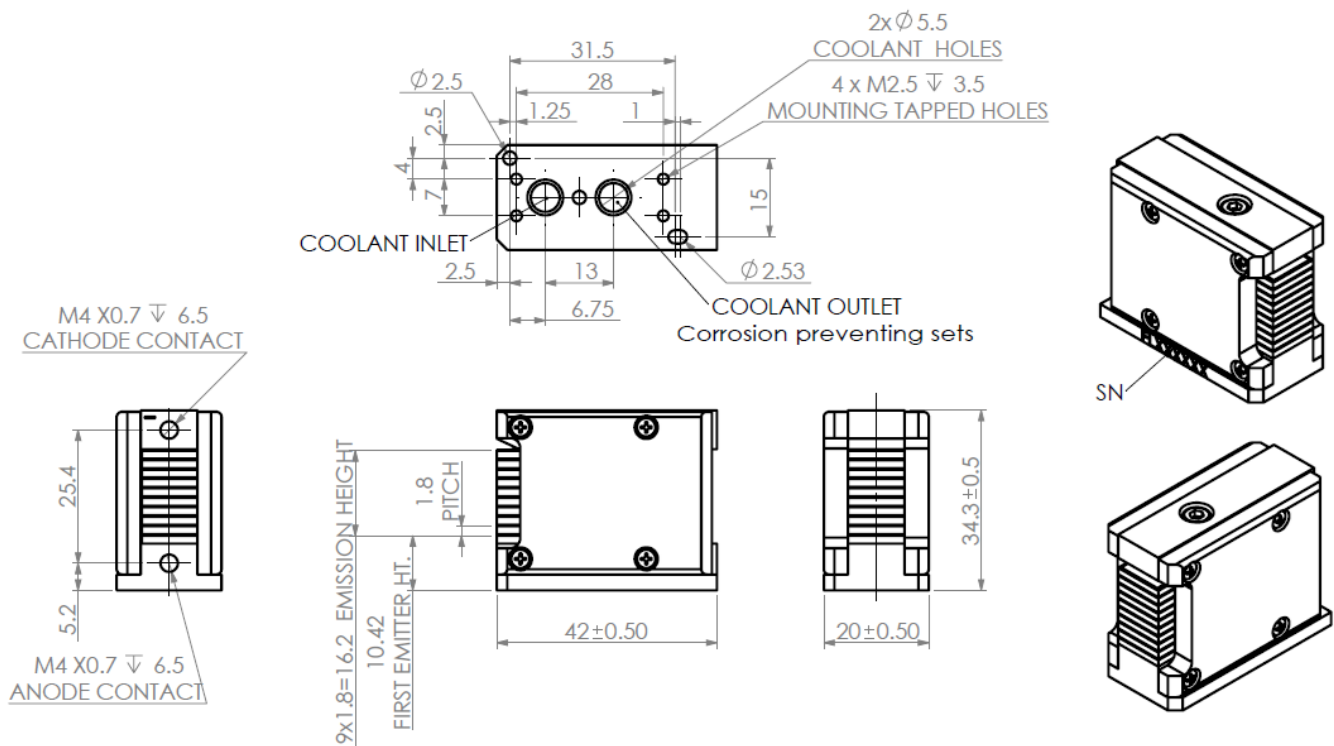
Features

- AuSn bonding
- High power
- Long life

Applications

- Hair removal

Product Dimensions (mm)



Remark: The structure drawing is for reference only. Please feel free to contact us for any special requirements.

Product Specifications

Product Code	HAR000056 ⁵
Part No. ¹	FL-HVS85-10×1-600-760

Optical Data ²	Unit	Value
Centroid Wavelength	nm	760
Wavelength Tolerance	nm	± 15
Output Power per bar ³	W	60
Fast Axis Divergence (FWHM)	degree	35
Slow Axis Divergence (FWHM)	degree	8
Polarization Mode	-	TE
Wavelength Temp. Coefficient	nm/°C	~ 0.32

Electrical Data ²		
Operation Current	A	≤ 75
Threshold Current	A	≤ 25
Operating Voltage	V	≤ 2
Slope Efficiency	W/A	≥ 1.1
Power Conversion Efficiency	%	≥ 45

Miscellaneous Data ²		
Operating Temperature ⁴	°C	20 ~ 30
Coolant	-	Deionized water
Flow Rate per bar	L/min	0.2 ~ 0.4
Max Inlet Pressure	kPa	380
Conductivity	µs/cm	≤ 5

¹Part No. = Brand Code - Series - Num. of bars- Power - Centroid Wavelength.

²Data at 25°C unless otherwise stated.

³Reduced lifetime if used above nominal operating conditions.

⁴A non-condensing environment is required for storage and operation below ambient dew level.

⁵Typical customization of products.

