

Conduction Cooled Vertical Stack Diode Laser

Vsilk 2-1200



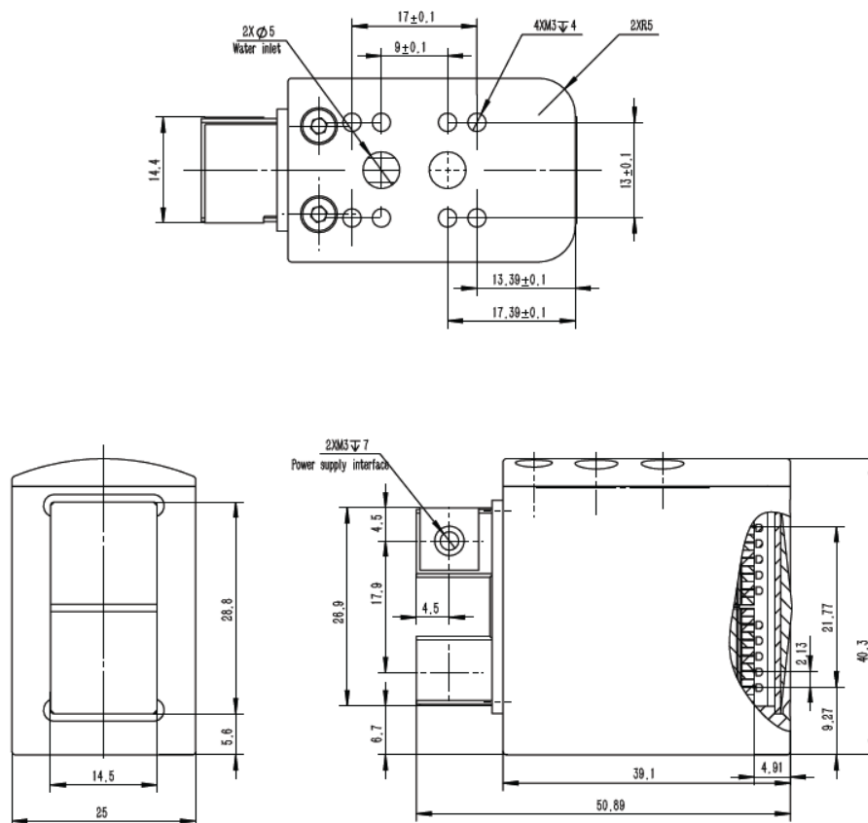
Features

- High effective energy
- High beam quality
- High reliability
- Small size
- Light weight

Applications

- Hair removal

Product Dimensions (mm)



Remark: The structure drawing is for reference only. Please feel free to contact us for any special requirements.

Product Specifications

Product Code	HAR300086
Part No. ¹	FL-Vsilk2-1200-808

Optical Data ²	Unit	Value
Centroid Wavelength	nm	808
Wavelength Tolerance	nm	± 15
Output Power ³	W	1200
Number of bars	-	10
Bar to Bar Pitch	mm	2.1
Fast Axis Divergence 95%	°	5 ~ 7
Slow Axis Divergence 95%	°	12 ~ 14
Spot Size ⁴	mm	12 × 24
Wavelength Temp. Coefficient	nm/°C	~ 0.28

Electrical Data ²		
Operation Current	A	≤ 130
Threshold Current	A	≤ 25
Operating Voltage	V	≤ 20
Slope Efficiency per bar	W/A	≥ 1.1
Power Conversion Efficiency	%	≥ 48
Max. Pulse Width	ms	400
Max. Duty Cycle	%	30

Miscellaneous Data		
Operating Temperature ⁵	°C	22 ~ 28
Coolant	-	Distilled water or pure water
Flow Rate	L/min	3 ~ 4

¹ Part No. = Brand Code - Series - Power - Centroid Wavelength .

² Data at 25°C unless otherwise stated.

³ Reduced lifetime if used above nominal operating conditions.

⁴ At the distance of 32mm from light emitting surface.

⁵ A non-condensing environment is required for storage and operation below ambient dew level.

