

Conduction Cooled Vertical Stack Diode Laser

Vsilk 2 Pro-2000 Plus



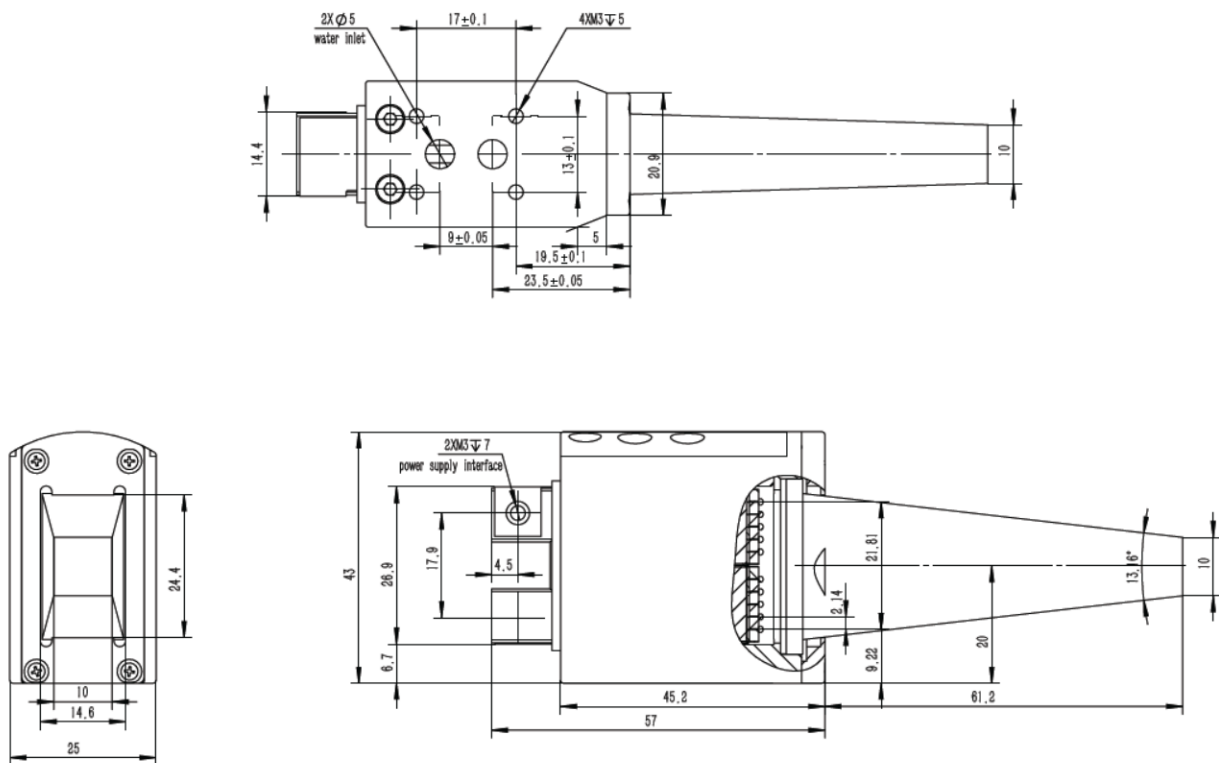
Features

- High power 200W/bar of LD
- High beam quality
- High reliability
- Small size
- Light weight

Applications

- Hair removal

Product Dimensions (mm)



Remark: The structure drawing is for reference only. Please feel free to contact us for any special requirements.

Product Specifications

Product Code

HAR300105

Part No. ¹

FL-Vsilk2Pro-2000-808-P

Optical Data ²	Unit	Value
Centroid Wavelength	nm	808
Wavelength Tolerance	nm	± 15
Output Power of LD ³	W	2000
Output Power after waveguide	W	1700
Number of bars	-	10
Spot Size after waveguide ⁴	mm	10 × 10
Wavelength Temp. Coefficient	nm/°C	~ 0.28

Electrical Data ²

Operation Current	A	≤200
Threshold Current	A	≤ 30
Operating Voltage	V	≤ 20
Power Conversion Efficiency	%	≥ 45
Max. Pulse Width	ms	400
Max. Duty Cycle	%	30

Miscellaneous Data ²

Operating Temperature ⁵	°C	22 ~ 28
Coolant	-	Distilled water or pure water
Flow Rate	L/min	3 ~ 4

¹ Part No. = Brand Code - Series - Power - Centroid Wavelength .

² Data at 25°C unless otherwise stated.

³ Reduced lifetime if used above nominal operating conditions.

⁴ At the 32mm working distance.

⁵ A non-condensing environment is required for storage and operation below ambient dew level.

