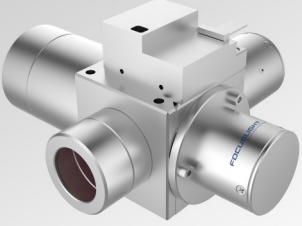
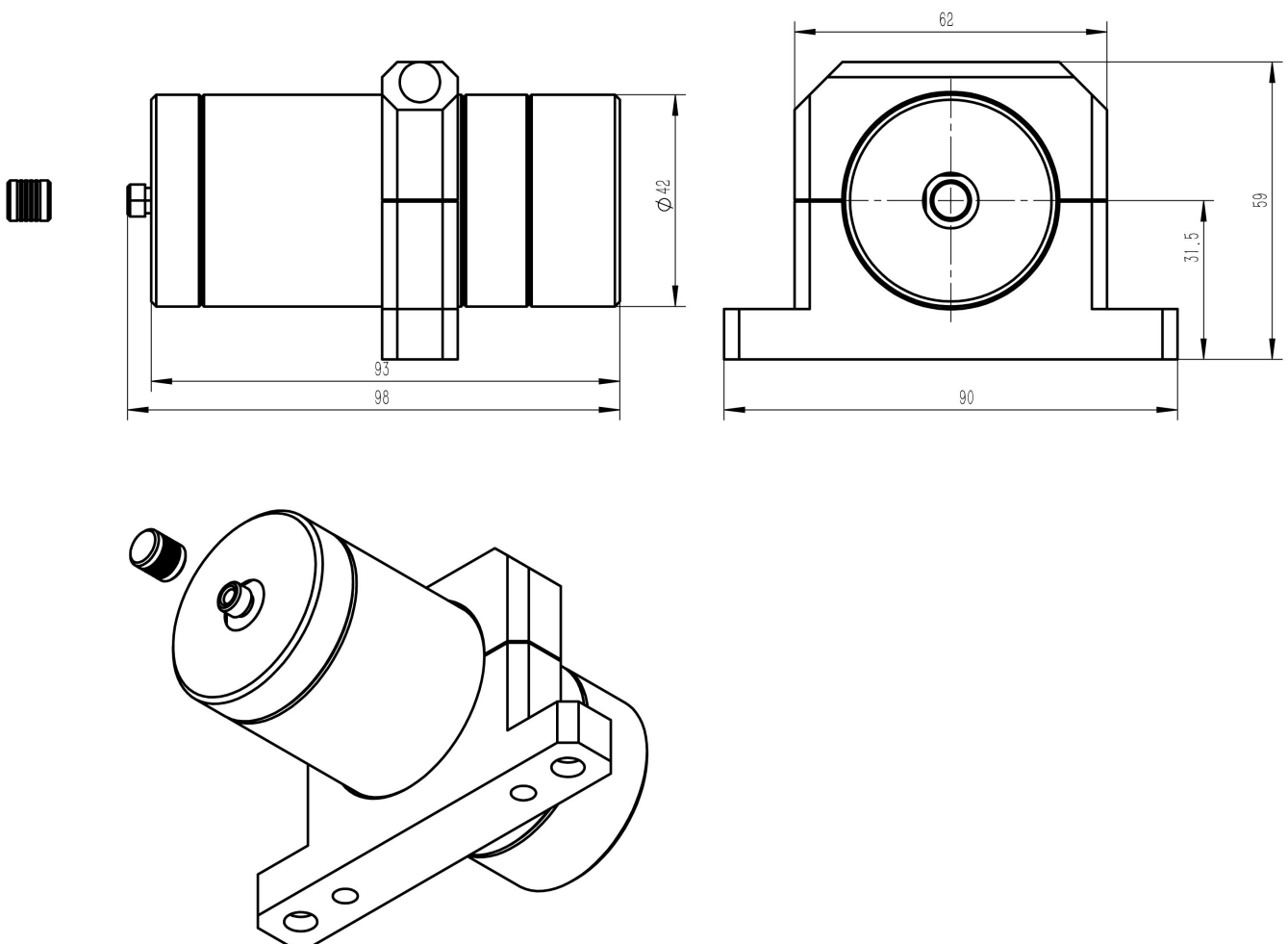


Industrial Laser System for Material Processing

Activation Series - Laser Processing Heads

	<p>Features</p> <ul style="list-style-type: none"> • Optimized beam shaping • Perfect process tool for welding and soldering • Safe process data transfer • Individual software package 	<p>Applications</p> <ul style="list-style-type: none"> • Material processing • Laser annealing • Laser reflow soldering • Laser bonding • Plastic welding • Laser non-contact heating
---	--	--

Product Dimensions (mm)



Remark: The structure drawing is for reference only. Please feel free to contact us for any special requirements.

Product Specifications

Product Code	ACT000034
Part No. ¹	LM-LPH-SMA-R-60-120

General Data	Unit	Value
Housing Material	-	Anodized Aluminum
Dimensions (length × width × depth)	mm	90 × 59 × 98
Mounting Threads (on both sides)	-	2 × M6
Fiber Connector Types	-	SMA905
Weight	g	400

Optical Data		
Max. Laser Power (CW)	W	120
Wavelength Range	nm	790 - 990
Max. Numerical Aperture	-	0.23
Max. Fiber Core Diameter	µm	600
Transmission Rate	-	90% (typ. 95%)
Collimation Focal Length	mm	60
Focusing Focal Length	mm	120
Working Distance	mm	100 ± 5
Beam Size FWHM with 200µm Fiber	µm	420
Beam Size (90% PE) with 200µm Fiber ²	µm	600
Beam Size FWHM with 400µm Fiber	µm	840
Beam Size (90% PE) with 400µm Fiber ²	µm	1000

Thermal Data		
Operating Temperature	°C	5 ~ 40
Storage Temperature	°C	15 ~ 50
Max. Housing Temperature in Operation	°C	60

¹ Part No. = Brand Code - Series - Fiber Connector Type - Beam Type - Collimation Focal Length - Focusing Focal Length

² PE means power enclosed.

